

## MH3300K SERIES

Metal Housing, NEMA 1, 12.5" H x 12.5" W x 7" D



Functional Devices, Inc. A600A 2003

### GENERAL SPECIFICATIONS

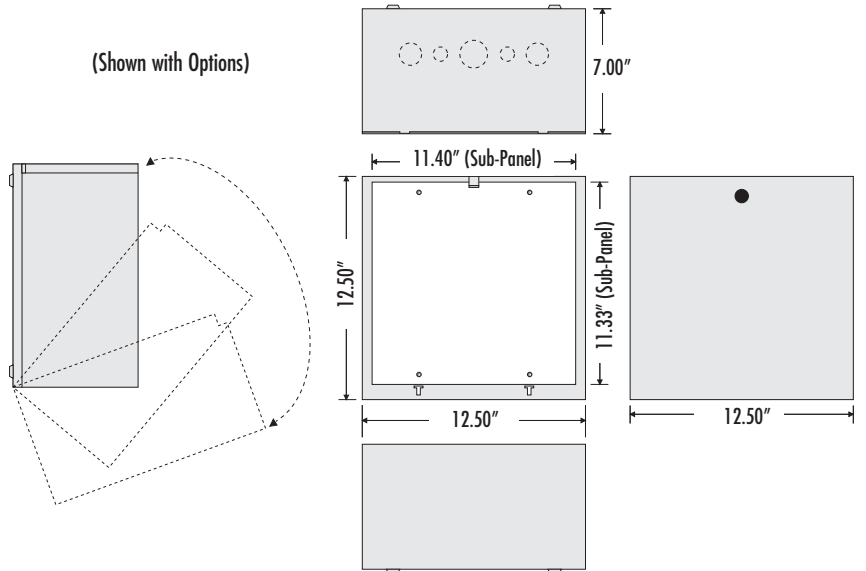
**Construction:** 18 Gauge Steel

**Weight:** 9.2 lbs.

**Door Type:** Hook Hinge Key Latch Door

**Approvals:** UL Listed, C-UL Canada

(Shown with Options)



### MH3300K SERIES SELECTION GUIDE

Model #	=	Enclosure	+	Sub-Panel
MH3303K		MH3300K		SP3303

See "Accessories" section for mounting track

### NOTES: